

CHANNEL SELECTOR

IQS-9310

R&D AND MANUFACTURING – OPTICAL



- Flat-top filter
- High channel isolation
- 100-GHz channel spacing
- Low insertion loss

High-Performance System Testing

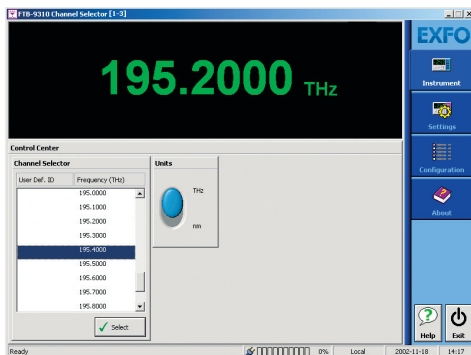
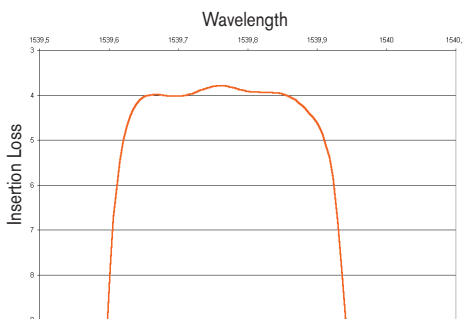
EXFO's IQS-9310 Channel Selector is a tunable filter designed for high-performance, advanced optical networking systems. Capable of selecting any one of 41 ITU channels within the Cband, the IQS-9310 is an ideal solution for protocol and DWDM applications. Use it for accurate amplifier characterization or bit-error-rate (BER) performance testing for long-haul and metro systems.

Efficient Channel Isolation

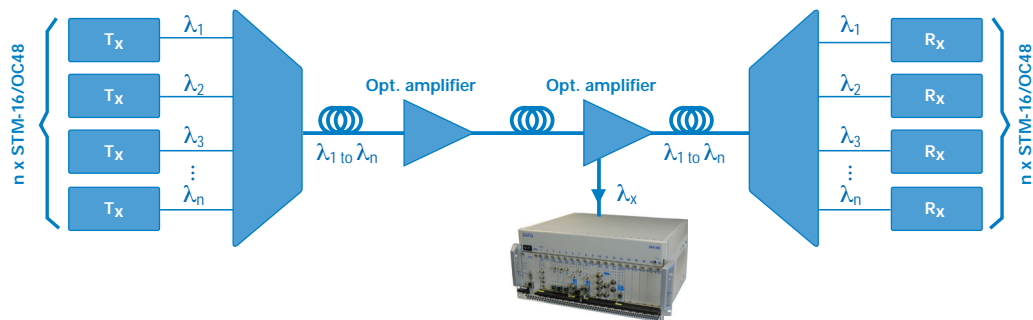
Perform BER or protocol-layer testing on a single channel selected from the C band. The IQS-9310 is tailor-made for DWDM applications that require low loss, high channel isolation and versatility at the wavelength level. Combine it with EXFO's EPX-based test solutions or FTB-8000 module (housed in the FTB-400 portable platform) for smooth, efficient SONET/SDH 10 Gb/s BER testing.

User-Friendly Software

View multiple channels and select the one you want to test—all on one easy-to-use touchscreen.



Channel Selection

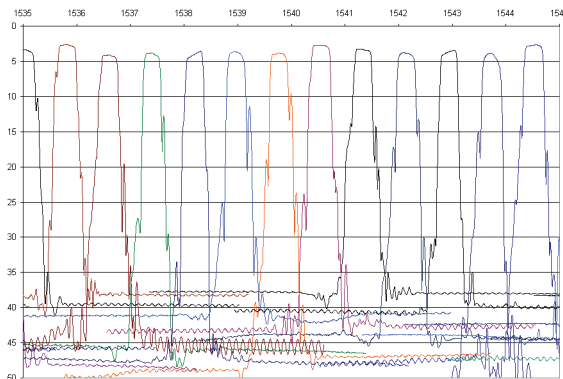


SPECIFICATIONS^a

Wavelength range		Any ITU channel from 1528 nm to 1560 nm (C band)
ITU channel isolation	(typical)	40 dB
Bandwidth (at 3 dB)	(typical)	320 pm
Insertion loss	(typical)	4 dB (at ITU channel wavelength)
Tuning time for adjacent channel		1 s
PDL		≤ 0.5 dB

GENERAL SPECIFICATIONS

Temperature	operating	0 °C to 40 °C
	storage	-20 °C to 70 °C
Relative humidity		95 %
Size (H x W x D)		12.5 cm x 3.6 cm x 28.2 cm (4 15/16 in x 1 7/16 in x 11 1/8 in)
Weight		1.1 kg (2.4 lb)



INSTRUMENT DRIVERS

LabVIEW™ drivers, SCPI commands and COM/DCOM libraries

REMOTE CONTROL

With IQS-500: GPIB (IEEE-488.1, IEEE-488.2), Ethernet and RS-232

STANDARD ACCESSORIES

User guide, Certificate of Compliance and Certificate of Calibration.

Notes

a. At room temperature.

ORDERING INFORMATION

IQS-9310-X-XX

Fiber
B = 9/125 mm singlemode

Connector Code
EI-EUI-28 = UPC/DIN 47256
EI-EUI-76 = UPC/HMS-10/AG
EI-EUI-89 = UPC/FC narrow key
EI-EUI-90 = UPC/ST
EI-EUI-91 = UPC/SC
EI-EUI-95 = UPC/E-2000

Example: IQS-9310-B-EI-EUI-89

Find out more about EXFO's extensive line of high-performance portable instruments by visiting our website at www.EXFO.com.

EXFO Corporate Headquarters > 400 Godin Avenue, Quebec City (Quebec) G1M 2K2 CANADA | Tel.: 1 418 683-0211 | Fax: 1 418 683-2170 | info@EXFO.com

Toll-free: 1 800 663-3936 (USA and Canada) | www.EXFO.com

EXFO Montreal	2650 Marie-Curie	St-Laurent (Quebec) H4S 2C3 CANADA	Tel.: 1 514 856-2222	Fax: 1 514 856-2232
EXFO Toronto	160 Drumlin Circle	Concord (Ontario) L4K 3E5 CANADA	Tel.: 1 905 738-3741	Fax: 1 905 738-3712
EXFO America	3701 Plano Parkway, Suite 160	Plano, TX 75075 USA	Tel.: 1 800 663-3936	Fax: 1 972 836-0164
EXFO Europe	SOUTHAMPTON > Omega Enterprise Park, Electron Way	Chandlers Ford, Hampshire S053 4SE ENGLAND	Tel.: +44 2380 246810	Fax: +44 2380 246801
EXFO Asia	151 Chin Swee Road, #03-29 Manhattan House	SINGAPORE 169876	Tel.: +65 6333 8241	Fax: +65 6333 8242
EXFO China	No.88 Fuhua, First Road Central Tower, Room 801, Futian District	Shenzhen 518048, CHINA	Tel.: +86 (755) 8203 2300	Fax: +86 (755) 8203 2306
	Beijing New Century Hotel Office Tower, Room 1754-1755 No. 6 Southern Capital Gym Road	Beijing 100044 P. R. CHINA	Tel.: +86 (10) 6849 2738	Fax: +86 (10) 6849 2662

EXFO is certified ISO 9001 and attests to the quality of these products. This device complies with Part 15 of the FCC Rules. Operation is subject to the following two conditions: (1) this device may not cause harmful interference, and (2) this device must accept any interference received, including interference that may cause undesired operation. EXFO has made every effort to ensure that the information contained in this specification sheet is accurate. All of EXFO's manufactured products are compliant with the European Union's WEEE directive. For more information, please visit www.EXFO.com/recycle. However, we accept no responsibility for any errors or omissions, and we reserve the right to modify design, characteristics and products at any time without obligation. Units of measurement in this document conform to SI standards and practices. Contact EXFO for prices and availability or to obtain the phone number of your local EXFO distributor.

For the most recent version of this spec sheet, please go to the EXFO website at <http://www.EXFO.com/specs>

In case of discrepancy, the Web version takes precedence over any printed literature.