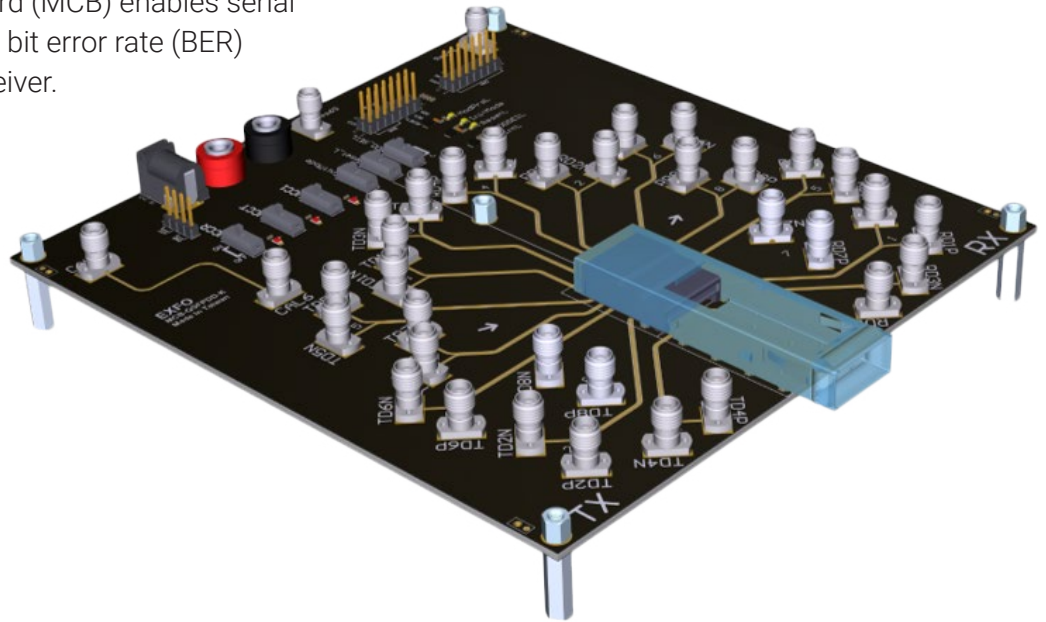


# Module compliance board (MCB)

## MCB TO TEST NEXT-GEN TRANSCEIVERS

- The module compliance board (MCB) enables serial communication between the bit error rate (BER) tester and the optical transceiver.



### KEY FEATURES

MSA supported: QSFP-DD, OSFP, QSFP28, SFP28, SFP-DD and DSFP

Pin for standard MSA

Supports 90 degree 2.92 mm RF connectors or 1x8 multi-coaxial O-SMPM RF connectors

DDMI connection (I<sup>2</sup>C)

Switch control (VccT/ VccR/Vcc1/LPMode/ResetL/MODSEIL)

LED monitor (VccT/VccR/Vcc1/ModPrsL/InitMod/ResetL/MODSEIL/IntL)

3 types Vcc inputs (header pin/power jack/banana)



QSFP28 MCB



QSFP-DD MCB



OSFP MCB

## SPECIFICATIONS

MCB model	Form factor	RF connector
QSFPDD-O	QSFP-DD	1x8 O-SMPM
QSFPDD-K	QSFP-DD	K (2.92 mm)
OSFP-O	OSFP	1x8 O-SMPM
OSPF-K	OSFP	K (2.92 mm)
QSFP56-O	QSFP56 and QSFP28	1x8 O-SMPM
QSFP28-K	QSFP28	K (2.92 mm)
SFPDD	SFP-DD	K (2.92 mm)
DSFP	DSFP	K (2.92 mm)
SFP28-90	SFP28	90° K (2.92 mm)
SFP28-180	SFP28	180° K (2.92 mm)

**EXFO headquarters** T +1 418 683-0211 **Toll-free** +1 800 663-3936 (USA and Canada)

EXFO serves over 2000 customers in more than 100 countries. To find your local office contact details, please go to [www.EXFO.com/contact](http://www.EXFO.com/contact).

For the most recent patent marking information, please visit [www.EXFO.com/patent](http://www.EXFO.com/patent). EXFO is certified ISO 9001 and attests to the quality of these products. EXFO has made every effort to ensure that the information contained in this specification sheet is accurate. However, we accept no responsibility for any errors or omissions, and we reserve the right to modify design, characteristics and products at any time without obligation. Units of measurement in this document conform to SI standards and practices. In addition, all of EXFO's manufactured products are compliant with the European Union's WEEE directive. For more information, please visit [www.EXFO.com/recycle](http://www.EXFO.com/recycle). **Contact EXFO for prices and availability or to obtain the phone number of your local EXFO distributor.**

For the most recent version of this spec sheet, please go to [www.EXFO.com/specs](http://www.EXFO.com/specs).

In case of discrepancy, the web version takes precedence over any printed literature.