

# BFA Series

## BARE FIBER ADAPTER

- Compact mechanical fixture to allow testing of bare fiber or non-connectorized components.



### KEY FEATURES

Designed for singlemode or multimode fiber, both coated or non-coated, bare fiber or non-connectorized components

Easy fiber positioning

Repeatable measurements, from test to test, from user to user

### RELATED PRODUCTS



Power meter  
and optical head  
FTBx-1750/OHS-1700



Benchtop  
optical kits  
LTK-1



Rackmount  
platform  
LTB-8



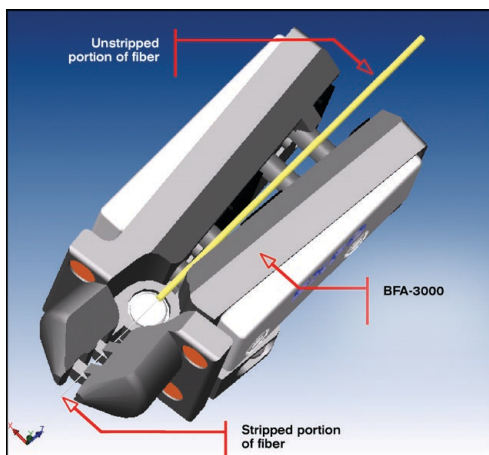
Optical loss  
test set  
FOT-600

## THE BFA-3000 UNIVERSAL BARE FIBER ADAPTER

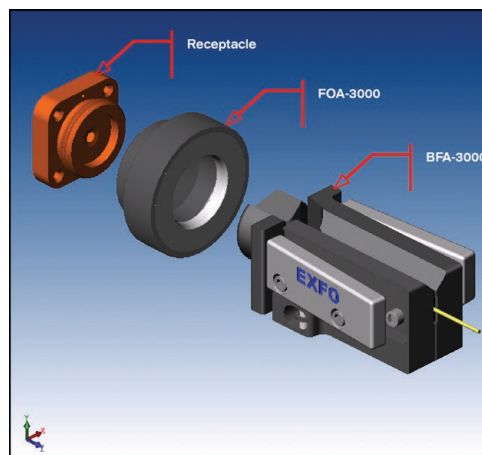
The BFA-3000 is an essential accessory for performing fast, accurate and repeatable power measurements on non-connectorized fiber or components. Its innovative, spring-loaded mechanism enables easy, consistent positioning of bare fibers for connection to a power meter via the FOA-3000 Adapter. This bare fiber adapter is perfect for repeatable power measurements using EXFO's OHS-1713-UH Ultra-High-Power™ Optical Head. Whether in an R&D setup or a manufacturing environment, the BFA-3000 complements EXFO's FTBx-1750, LTK-1-1-FTB-1750 and OHS-1700 power meters (detector  $\geq 3$  mm).

## THE BFA-200 SERIES BARE FIBER ADAPTERS

These adapters easily and quickly connect bare fibers, thanks to their push-button locking system. Designed for both field applications and component testing, they ensure reliable connections and are the ideal complement to EXFO's complete range of fiber-optic test instruments. BFA-200 series adapters are available for FC, SC and ST connectors.



*BFA-3000 in open position. Fiber is in place. Yellow portion of fiber is unstripped.*



*BFA-3000, FOA-3000 and receptacle assembly.*

## ORDERING INFORMATION

### Bare fiber adapter

- BFA-222 = High-precision NTT-FC adapter with push button (multimode or singlemode)
- BFA-232 = High-precision ST AT&T adapter with push button (multimode or singlemode)
- BFA-254 = High-precision SC adapter with push button
- BFA-3000 = Universal Bare Fiber Adapter

Example: BFA-232

**EXFO headquarters** T +1 418 683-0211 **Toll-free** +1 800 663-3936 (USA and Canada)

EXFO serves over 2000 customers in more than 100 countries. To find your local office contact details, please go to [www.EXFO.com/contact](http://www.EXFO.com/contact).

For the most recent patent marking information, please visit [www.EXFO.com/patent](http://www.EXFO.com/patent). EXFO is certified ISO 9001 and attests to the quality of these products. EXFO has made every effort to ensure that the information contained in this specification sheet is accurate. However, we accept no responsibility for any errors or omissions, and we reserve the right to modify design, characteristics and products at any time without obligation. Units of measurement in this document conform to SI standards and practices. In addition, all of EXFO's manufactured products are compliant with the European Union's WEEE directive. For more information, please visit [www.EXFO.com/recycle](http://www.EXFO.com/recycle). **Contact EXFO for prices and availability or to obtain the phone number of your local EXFO distributor.**

For the most recent version of this spec sheet, please go to [www.EXFO.com/specs](http://www.EXFO.com/specs).

In case of discrepancy, the web version takes precedence over any printed literature.